

## Infrared Multi-Touch Screen

# ETSBIN Series

## Technical Specification

### Customer Approved

采购部 PURCHING	品管部 QC	研发部 R&D	签章

### Manufacturer

拟制 DRAWING	审核 1 CHECK1	审核 2 CHECK2	批准 RATIFY	签章

Version	Date	Information Source	Update Details
1.0	2012-12-28		Release
1.1	2013-04-26		Add power consumption information

# 1 Characteristics

EverTouch BIN series infrared multi-touch screen is designed with thin and slim frame. It can be integrated into large size LCD monitor or any flat display device easily, and providing new look of display devices.

### Features:

- True multi-touch points
- Support from 2 to 10 touch points
- Integrated controller
- Fast response and writing smoothly
- High precision
- Stable and no drift
- Work well under direct sunlight

### Typical Applications:

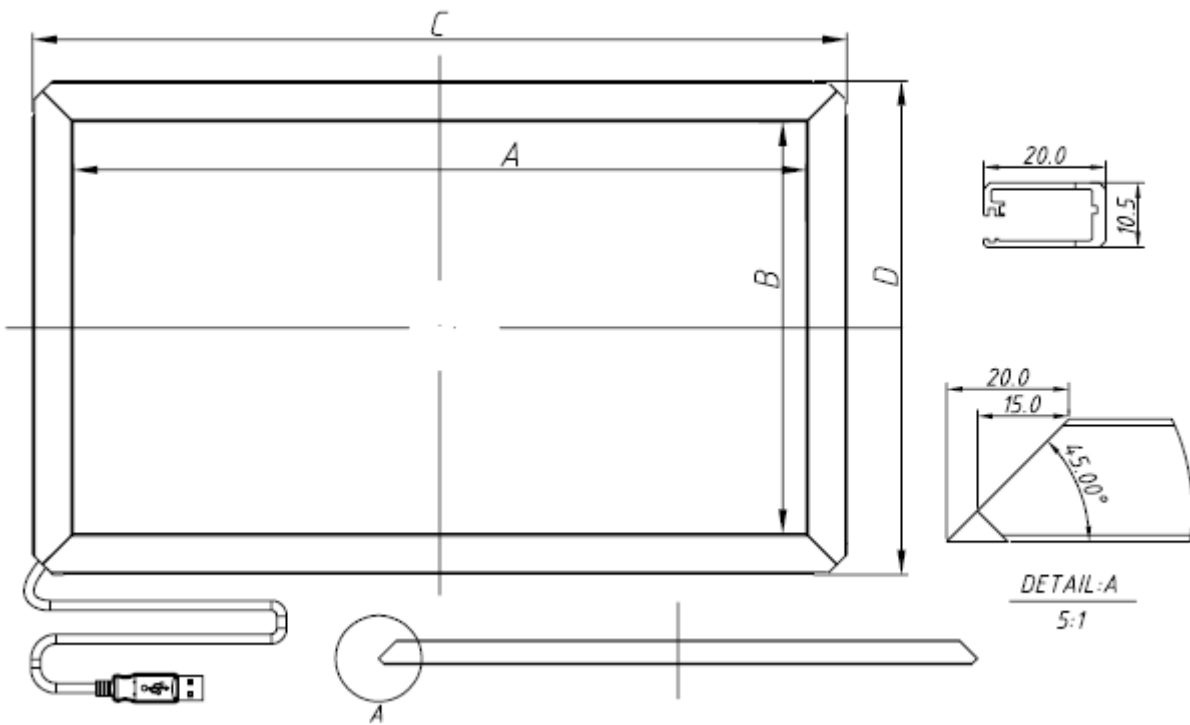
- All-in-one computer
- Video conference system
- Kiosks
- Self-service terminal
- Interactive advertising machine



# 2 Specifications

Touch Points		2, 4, 6,10
Available Normal Size		32"/37"/40"/42"/46"/47"/52"/55"/65"/70"/82"/84"
Customized Size		Any size from 32 to 100 inch
Reported Resolution		32767x32767
Input Method		Finger, or any other opaque stylus
Minimum Stylus Size		Diameter > 5mm
Response Time		<16ms
Shell		AL
Glass		No glass
Outside Dimensions		See Chapter 3
Touch Area		See Chapter 3
USB2.0	Connector type	Plug of type A
	Transfer speed	12Mbps, Full Speed
	Signal	+5V,D-,D+,GND
Temperature Range		Operating 0 - 60°C (Temperature slope less than 25°C/Hr)
		Storage -25 - 85°C (Temperature slope less than 25°C/Hr)
Humidity		Operating 0%-85%, non-condensing
		Storage 0%-95%, non-condensing
ESD Capability		Contact discharge voltage is 4KV, air discharge voltage is 8KV
Supply Voltage		DC+5V ± 5%
Power Consumption		1.75 ~ 3.75 W, according to different size, see chapter 5
How to Supply it		From USB PORT of PC or powered HUB
Supported OS		Win8 / Win7 / XP / Linux / Mac OS / Android
Driver Software		Not needed under windows

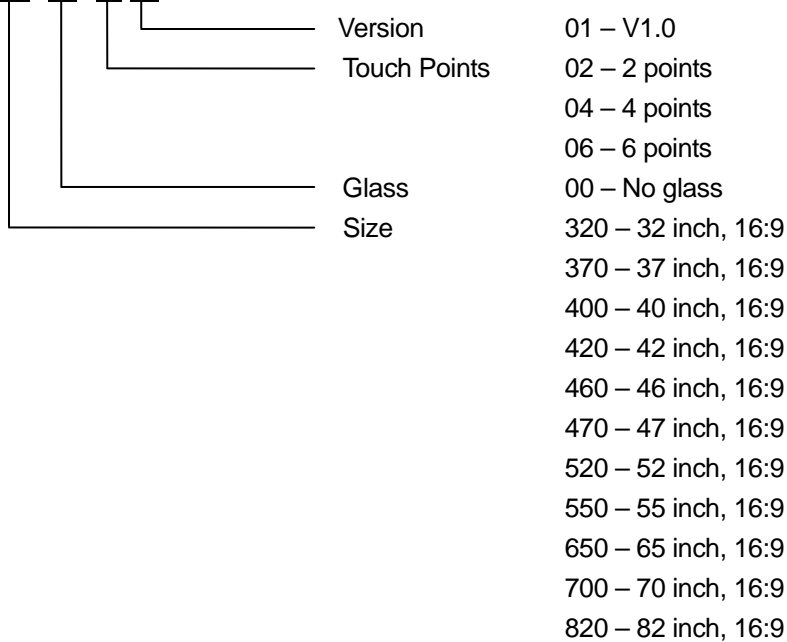
### 3 Mechanical Dimension



Size	Touch Area Dimensions		Outside Dimensions		Cable Length (mm)
	A(mm)	B(mm)	C(mm)	D(mm)	
32inch	700±1	396±1	740±1	436±1	1500
37inch	821±1	462±1	861±1	502±1	1500
40inch	888±1	501±1	928±1	541±1	1500
42inch	933±1	527±1	973±1	567±1	1500
46inch	1023±1	575±1	1063±1	615±1	1500
47inch	1041±1	587±1	1081±1	627±1	1500
52inch	1155±1	650±1	1195±1	690±1	1500
55inch	1214±2	683±2	1254±2	723±2	1500
65inch	1430±2	808±2	1470±2	848±2	1500
70inch	1554±2	874±2	1594±2	914±2	1500
82inch	1806±2	1017±2	1846±2	1057±2	1500

## 4 Ordering information

ETSBINxxxD00Uxx-01



Part Number	Description	Version
ETSBIN320D00U02-01	32", 16:9, 2 points Multi-Touch, USB	V1.0
ETSBIN370D00U02-01	37", 16:9, 2 points Multi-Touch, USB	V1.0
ETSBIN400D00U02-01	40", 16:9, 2 points Multi-Touch, USB	V1.0
ETSBIN420D00U02-01	42", 16:9, 2 points Multi-Touch, USB	V1.0
ETSBIN460D00U02-01	46", 16:9, 2 points Multi-Touch, USB	V1.0
ETSBIN470D00U02-01	47", 16:9, 2 points Multi-Touch, USB	V1.0
ETSBIN520D00U02-01	52", 16:9, 2 points Multi-Touch, USB	V1.0
ETSBIN550D00U02-01	55", 16:9, 2 points Multi-Touch, USB	V1.0
ETSBIN650D00U02-01	65", 16:9, 2 points Multi-Touch, USB	V1.0
ETSBIN700D00U02-01	70", 16:9, 2 points Multi-Touch, USB	V1.0
ETSBIN820D00U02-01	82", 16:9, 2 points Multi-Touch, USB	V1.0

Part Number	Description	Version
ETSBIN320D00U04-01	32", 16:9, 4 points Multi-Touch, USB	V1.0
ETSBIN370D00U04-01	37", 16:9, 4 points Multi-Touch, USB	V1.0
ETSBIN400D00U04-01	40", 16:9, 4 points Multi-Touch, USB	V1.0
ETSBIN420D00U04-01	42", 16:9, 4 points Multi-Touch, USB	V1.0
ETSBIN460D00U04-01	46", 16:9, 4 points Multi-Touch, USB	V1.0
ETSBIN470D00U04-01	47", 16:9, 4 points Multi-Touch, USB	V1.0
ETSBIN520D00U04-01	52", 16:9, 4 points Multi-Touch, USB	V1.0
ETSBIN550D00U04-01	55", 16:9, 4 points Multi-Touch, USB	V1.0
ETSBIN650D00U04-01	65", 16:9, 4 points Multi-Touch, USB	V1.0
ETSBIN700D00U04-01	70", 16:9, 4 points Multi-Touch, USB	V1.0
ETSBIN820D00U04-01	82", 16:9, 4 points Multi-Touch, USB	V1.0

Part Number	Description	Version
ETSBIN320D00U06-01	32", 16:9, 6 points Multi-Touch, USB	V1.0
ETSBIN370D00U06-01	37", 16:9, 6 points Multi-Touch, USB	V1.0
ETSBIN400D00U06-01	40", 16:9, 6 points Multi-Touch, USB	V1.0
ETSBIN420D00U06-01	42", 16:9, 6 points Multi-Touch, USB	V1.0
ETSBIN460D00U06-01	46", 16:9, 6 points Multi-Touch, USB	V1.0
ETSBIN470D00U06-01	47", 16:9, 6 points Multi-Touch, USB	V1.0
ETSBIN520D00U06-01	52", 16:9, 6 points Multi-Touch, USB	V1.0
ETSBIN550D00U06-01	55", 16:9, 6 points Multi-Touch, USB	V1.0
ETSBIN650D00U06-01	65", 16:9, 6 points Multi-Touch, USB	V1.0
ETSBIN700D00U06-01	70", 16:9, 6 points Multi-Touch, USB	V1.0
ETSBIN820D00U06-01	82", 16:9, 6 points Multi-Touch, USB	V1.0

## 5 Power Consumption

Part Number	Power Consumption	Max Current
ETSBIN320D00Uxx-01	1.75W	350mA
ETSBIN370D00Uxx-01	1.85W	370mA
ETSBIN400D00Uxx-01	1.9W	380mA
ETSBIN420D00Uxx-01	2W	400mA
ETSBIN460D00Uxx-01	2.1W	420mA
ETSBIN470D00Uxx-01	2.4W	480mA
ETSBIN520D00Uxx-01	2.5W	500mA*
ETSBIN550D00Uxx-01	2.9W	580mA*
ETSBIN650D00Uxx-01	3.25W	650mA*
ETSBIN700D00Uxx-01	3.3W	660mA*
ETSBIN820D00Uxx-01	3.75W	750mA*

\* Please make sure that your device is able to provide enough power supply. If not, you might need the adapter cable to ensure the sufficient operating current.

## 6 RoHS Compliance

EverTouch BIN series are RoHS compliant.